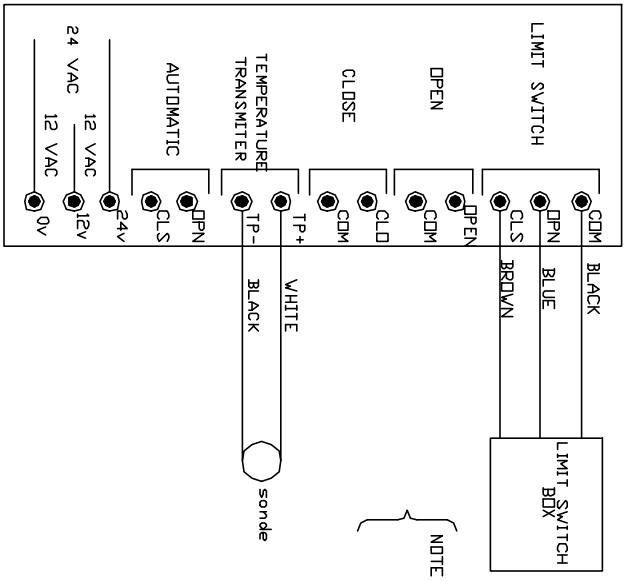
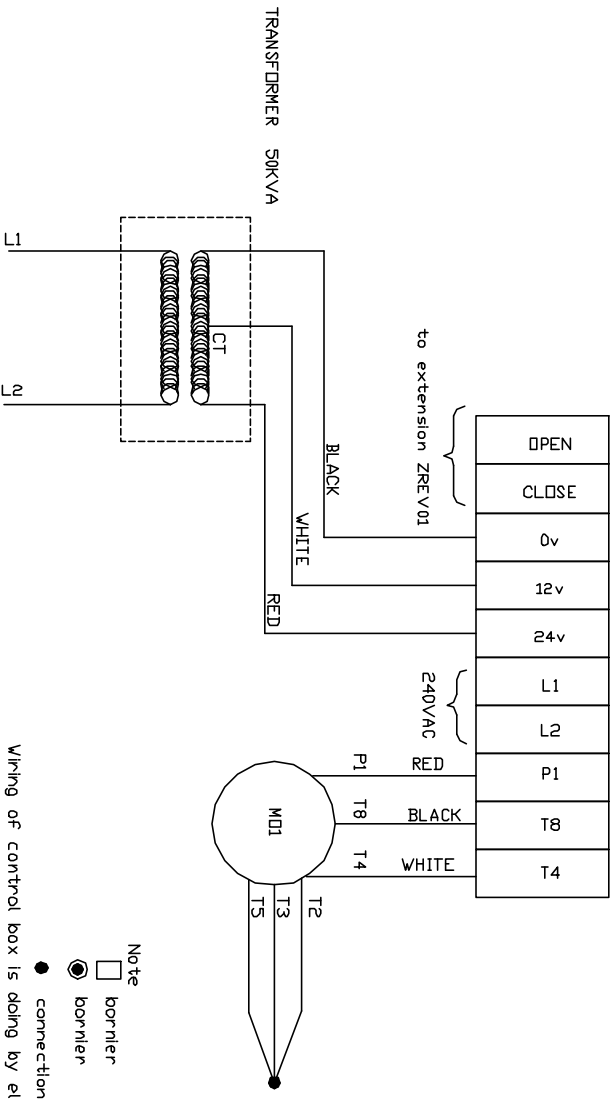


CONNECTION FOR CONTROL PLATE



NOTE 1: Interchange DPN (BLUE) and CLS (BROWN) to reverse limit switches

NOTE 2: To change the motor rotation, reverse wire open and close



Wiring of control box is doing by electrician

Note
 bornier
 bornier

Entreprise électrique M.J.L.
 GROUPE HORTICOLE LEDOUX INC.
 785 Rue Paul Lussier
 Sainte-Hélène de Bagot, Qué
 J0H 1M0
 Tel: (450) 791-2222

1	GLOBAL	2000/05/20	DESIGNÉ PAR: M.L.
2	MODIFICATION	2000/06/15	TRACE PAR: M.L.
REV.	DESCRIPTION	DATE	VÉRIFIÉ PAR: M.L. APPROUVÉ PAR:

IDENTIFICATION:		CLIENT:	
CONNECTION FOR CONTROL PANEL ZREV05 FOR SINGLE UNITS		G.H.L.	
DESSIN NO. 2		REVISION 0	